

**oerlikon**  
leybold vacuum

# Ultra-High Vacuum Technology

Sputter Ion Pumps  
30 - 400 l/s

181.06.01

Excerpt from the Oerlikon Leybold Vacuum Full Line Catalog

Product Chapter C15

Edition May 2007

# Contents

## General

General ..... C15.03

## Products

Sputter Ion Pumps ..... C15.04

## Accessories

Operating Unit IPC ..... C15.06

# General

Sputter ion pumps are gas binding pumps. The pumping effect is based chiefly on gettering processes.

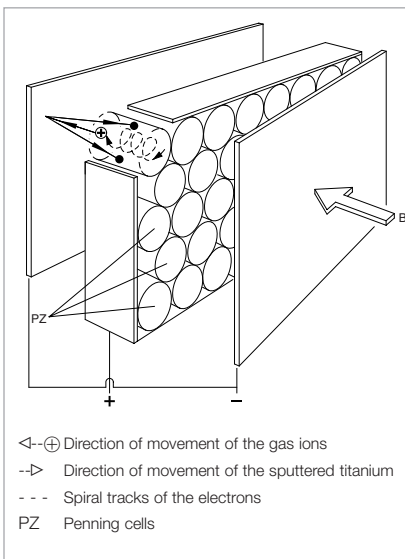
## Operating Principle of Sputter Ion Pumps

Ions from a gas discharge impinge on the cathode of an electrode system within the pump housing thereby sputtering the cathode material (titanium, in conventional pumps). The titanium deposits on neighbouring surfaces act as a getter film binding reactive gas particles (nitrogen, oxygen, hydrogen, for example).

However, the energy of the ionised gas particles will not only cause sputtering of the cathode material but will also cause the impinging ions to penetrate deeply into the cathode material (ion implantation).

This sorption process "pumps" all kinds of ions, in particular also ions of gases which do not react with the titanium layer produced by sputtering, mostly noble gases.

The ions are generated by the following arrangement: located between two parallel cathode plates (see figure "Principle of the sputter ion pump") are densely packed cylindrical anodes made of stainless steel, the axes of which are at right angles with respect to the cathodes.



Operating principle of the sputter ion pump

The cathodes are at a negative potential of a few kV with reference to the anode.

The entire electrode arrangement is located in a homogeneous magnetic field which is produced by permanent magnets attached from the outside at the pump housing. The gas discharge which is produced by the high tension, contains both electrons and ions.

Under the influence of the magnetic field, the electrons move along long spiral tracks until they arrive at the anode cylinder of the corresponding cell. Owing to their high mass, the ions are practically not influenced on their way by the magnetic field. They fly along the shortest possible path directly to the cathode. This arrangement is basically similar to that of a Penning sensor cell used to measure vacuum pressures.

In the case of diode pumps having the electrode configuration shown below (see Fig. "Electrode configuration of a diode sputter ion pump") the getter layers are created between the anode surfaces and between the sputtering areas on the cathode. Implantation of the ions is effected within the cathode surfaces.

However, as the cathode sputtering process progresses, already implanted chemically inert noble gases may be released again. This undesirable effect is termed "Memory Effect".

For air, nitrogen, carbon dioxide and water vapour, the pumping speed is practically the same. With reference to

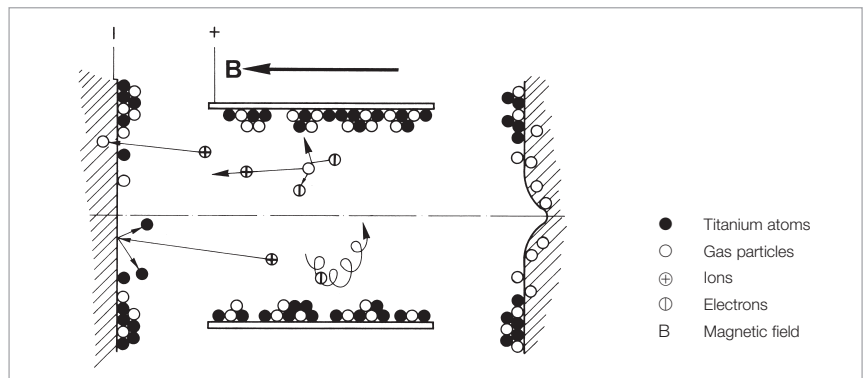
the pumping speed for air, the pumping speed of the sputter ion pumps for other gases is approximately:

- Hydrogen 150 to 200%
- Methane 100%
- Other lightweight hydrocarbons 80 to 120%
- Oxygen 80%
- Argon 30%
- Helium 28%

Sputter ion pumps allow, based on the discharge current, the measurement of the pressure within the vacuum chamber within a certain pressure range. In the case of diode pumps, this range extends down to a pressure range of approximately  $10^{-11}$  mbar, in the case of triode pumps only down to  $10^{-8}$  mbar.

## Characteristics of the IZ Series

- Diode pump, stabilised with noble gas (low memory effect) through the selection of suitable cathode materials
- Electrode system optimised for excellent pumping speeds in the UHV and XHV range
- Operation down to  $10^{-12}$  mbar
- Integrated pressure readout through the IPC operating unit down to  $1.3 \times 10^{-11}$  mbar
- Integrated degassing system (IZ50 – IZ400)



Electrode configuration of a diode type sputter ion pump

# Products

## Sputter Ion Pumps

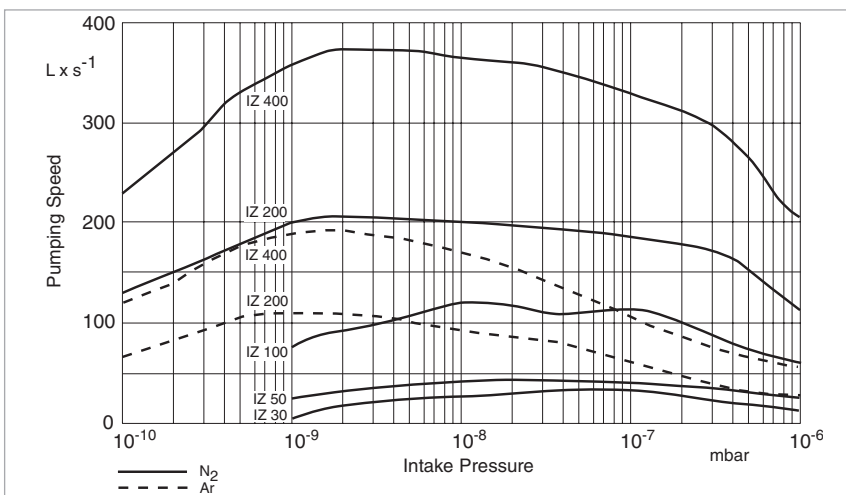


### Typical Applications

- Mass spectrometry
- High energy physics
- Electron microscopy (AFM, STM, SEM)
- Surface analysis
- UHV evaporation (MBE)
- Nano technology

### Technical Characteristics

- Generation of a high and ultra-high vacuum in to the XHV range which is entirely free of hydrocarbons
- No moving parts
- No operating noise
- Installation in any orientation
- Maintenance-free operation
- No additional cooling required



Pumping speed curves for the IZ pumps

### Advantages to the User

- Absolutely free of vibrations – important in connection with high sensitivity measurements
- Highly economic – low cost of ownership
- Direct pressure measurements are possible
- No protection measures against contamination in the event of a power failure are required
- Extremely long service life
- Very high pumping speed at UHV

## Technical Data

## Sputter Ion Pumps

		<b>IZ30</b>	<b>IZ50</b>	<b>IZ100</b>	<b>IZ200</b>	<b>IZ400</b>	
High vacuum connection	DN	40 CF	63 CF	100 CF	160 CF	160 CF	
Pumping speed for	N <sub>2</sub> at 10 <sup>-9</sup> mbar	I/s	30	45	100	200	400
	Ar at 10 <sup>-9</sup> mbar	I/s	10	15	48	105	190
Recommended operating pressure	mbar	< 8.0 x 10 <sup>-5</sup>	< 8.0 x 10 <sup>-5</sup>	< 5.0 x 10 <sup>-5</sup>	< 3.8 x 10 <sup>-5</sup>	< 3.0 x 10 <sup>-5</sup>	
Ultimate pressure	mbar	< 10 <sup>-11</sup>	< 10 <sup>-11</sup>	< 10 <sup>-11</sup>	< 10 <sup>-11</sup>	< 10 <sup>-11</sup>	
Integrated heating system							
Heating voltage	V AC	–	220 - 240	220 - 240	220 - 240	220 - 240	
Heating power	W	–	300	320	600	800	
Degassing temperature							
with the internal heater	°C	–	250	250	250	250	
max. degassing temperature	°C	350	350	350	350	350	
Operating voltage	kV	+7.5	+7.5	+7.5	+7.5	+7.5	
Ambient conditions							
Permissible temperature range	°C	0 to +40	0 to +40	0 to +40	0 to +40	0 to +40	
max. humidity of the air	%	< 85	< 85	< 85	< 85	< 85	
Dimensions (W x D x H)	mm	183 x 103 x 187	187 x 165 x 240	337 x 167 x 340	367 x 296 x 372	560 x 296 x 372	
Weight, approx. (including integrated heating system)	kg	9.5	12	37	65	124	

## Ordering Information

## Sputter Ion Pumps

	<b>IZ30</b>	<b>IZ50</b>	<b>IZ100</b>	<b>IZ200</b>	<b>IZ400</b>
Sputter ion pump	<b>Part. No. 225 005</b>	<b>Part. No. 225 004</b>	<b>Part. No. 225 003</b>	<b>Part. No. 225 002</b>	<b>Part. No. 225 001</b>
Operating unit	<b>IPC</b>	<b>IPC</b>	<b>IPC</b>	<b>IPC</b>	<b>IPC</b>

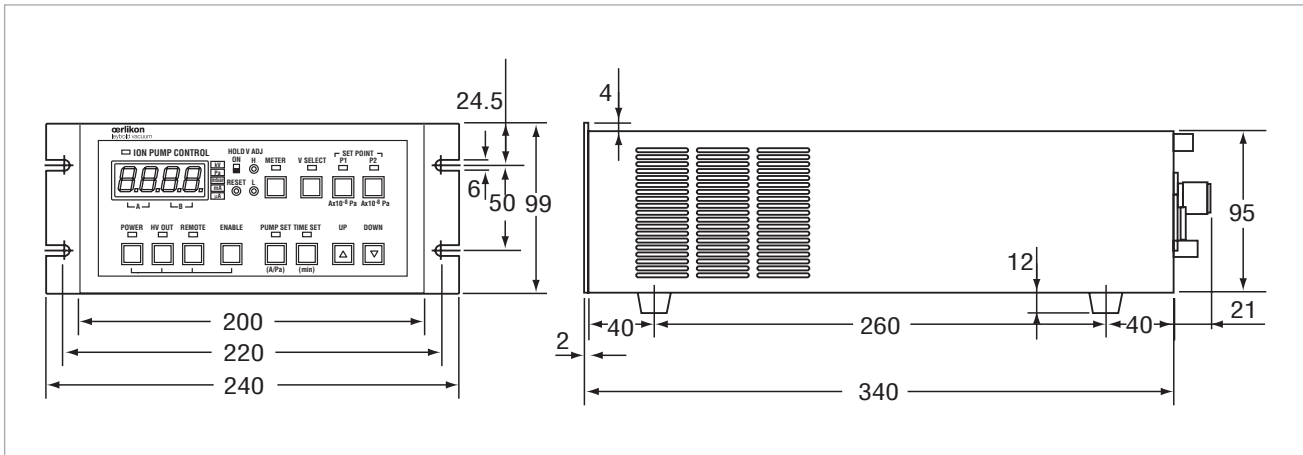
# Accessories

## Operating Unit IPC



### Technical Characteristics

- Integrated display for current, voltage and pressure
- Pressure readout individually adjustable to the specific type of pump
- Variable output voltage ranging from 1 to 7.5 kV
- RS 233 C interface
- 24 V interface (remote)
- Separate chart recorder output



Dimensional drawing for the operating unit IPC

### Technical Data

Weight, approx.

kg

4

### Operating Unit IPC

### Ordering Information

### Operating Unit IPC

Operating Unit IPC incl. connecting cable 5 m	<b>Part No. 225 000</b>
Connecting cable (IZ pump-operating unit)	
10 m	<b>Part No. 225 021</b>
15 m	<b>Part No. 225 022</b>
20 m	<b>Part No. 225 023</b>
HV pump connector for IZ pump	<b>Part No. 225 019</b>



# Sales and Service

## Germany

**Oerlikon**  
**Leybold Vacuum GmbH**  
Bonner Strasse 498  
D-50968 Cologne  
Phone: +49-(0)221-347 1234  
Fax: +49-(0)221-347 1245  
sales.vacuum@oerlikon.com  
www.oerlikon.com

**Oerlikon**  
**Leybold Vacuum GmbH**  
**Sales Area North/Northeast**  
Branch Office Berlin  
Buschkrugallee 33  
1. Obergeschoss  
D-12359 Berlin  
Phone: +49-(0)30-435 609 0  
Fax: +49-(0)30-435 609 10  
sales.vacuum.bn@oerlikon.com

**Oerlikon**  
**Leybold Vacuum GmbH**  
**Sales Area South/Southwest**  
Branch Office Munich  
Sendlinger Strasse 7  
D-80331 Munich  
Phone: +49-(0)89-357 33 9-10  
Fax: +49-(0)89-357 33 9-33  
sales.vacuum.mn@oerlikon.com  
service.vacuum.mn@oerlikon.com

**Oerlikon**  
**Leybold Vacuum GmbH**  
**Sales Area West & Benelux**  
Branch Office Cologne  
Bonner Strasse 498  
D-50968 Cologne  
Phone: +49-(0)221-347 1270  
Fax: +49-(0)221-347 1291  
sales.vacuum.kn@oerlikon.com

**Oerlikon**  
**Leybold Vacuum GmbH**  
**Service Competence Center**  
Emil-Hoffmann-Strasse 43  
D-50996 Cologne-Suerth  
Phone: +49-(0)221-347 1439  
Fax: +49-(0)221-347 1945  
service.vacuum.kn@oerlikon.com

**Oerlikon**  
**Leybold Vacuum GmbH**  
**Mobil Customer Service**  
Emil-Hoffmann-Strasse 43  
D-50996 Cologne-Suerth  
Phone: +49-(0)221-347 1765  
Fax: +49-(0)221-347 1944  
service.vacuum.kn@oerlikon.com

**Oerlikon**  
**Leybold Vacuum GmbH**  
**Dresden**  
Zur Wetterwarte 50, Haus 304  
D-01109 Dresden  
Service:  
Phone: +49-(0)351-88 55 00  
Fax: +49-(0)351-88 55 041  
info.vacuum.dr@oerlikon.com

**Oerlikon**  
**Leybold Vacuum USA Inc.**  
5700 Mellon Road  
USA-Export, PA 15632  
Phone: +1-724-327-5700  
Fax: +1-724-325-3577  
info.vacuum.ex@oerlikon.com

## Europe

Belgium  
**Oerlikon**  
**Leybold Vacuum Nederland B.V.**  
**Belgisch bijkantoor**  
Leuvensesteenweg 542-9A  
B-1930 Zaventem  
Sales:  
Phone: +32-2-711 00 83  
Fax: +32-2-720 83 38  
sales.vacuum.zv@oerlikon.com

France  
**Oerlikon**  
**Leybold Vacuum France S.A.**  
7, Avenue du Québec  
Z.A. Courtaboef 1 - B.P. 42  
F-91942 Courtaboeuf Cedex  
Sales and Service:  
Phone: +33-1-69 82 48 00  
Fax: +33-1-69 07 57 38  
sales.vacuum.or@oerlikon.com

**Oerlikon**  
**Leybold Vacuum France S.A.**  
**Valence Factory**  
640, Rue A. Bergès - B.P. 107  
F-26501 Bourg-lès-Valence Cedex  
Phone: +33-4-75 82 33 00  
Fax: +33-4-75 82 92 69  
info.vacuum.vc@oerlikon.com

Great Britain  
**Oerlikon**  
**Leybold Vacuum UK Ltd.**  
Unit 2  
Silverglade Business Park  
Leatherhead Road  
UK-Chessington, Surrey KT9 2QL  
Sales:  
Phone: +44-13-7273 7300  
Fax: +44-13-7273 7301  
sales.vacuum.ln@oerlikon.com  
Service:  
Phone: +44-20-8971 7030  
Fax: +44-20-8971 7003  
service.vacuum.ln@oerlikon.com

Italy  
**Oerlikon**  
**Leybold Vacuum Italia S.p.A.**  
8, Via Trasimeno  
I-20128 Milano  
Sales:  
Phone: +39-02-27 22 31  
Fax: +39-02-27 20 96 41  
sales.vacuum.mi@oerlikon.com

Service:  
Phone: +39-02-27 22 31  
Fax: +39-02-27 22 32 17  
service.vacuum.mi@oerlikon.com

**Oerlikon**  
**Leybold Vacuum Italia S.p.A.**  
Field Service Base  
Z.I. Le Capanne  
I-05021 Acquasparta (TR)  
Phone: +39-0744-93 03 93  
Fax: +39-0744-94 42 87  
service.vacuum.mi@oerlikon.com

Netherlands  
**Oerlikon**  
**Leybold Vacuum Nederland B.V.**  
Proostwetering 24N  
NL-3543 AE Utrecht  
Sales and Service:  
Phone: +31-(30) 242 6330  
Fax: +31-(30) 242 6331  
sales.vacuum.ut@oerlikon.com  
service.vacuum.ut@oerlikon.com

Spain  
**Oerlikon**  
**Leybold Vacuum Spain, S.A.**  
C/. Huelva, 7  
E-08940 Cornellà de Llobregat  
(Barcelona)  
Sales:  
Phone: +34-93-666 46 16  
Fax: +34-93-666 43 70  
sales.vacuum.ba@oerlikon.com  
Service:  
Phone: +34-93-666 49 51  
Fax: +34-93-685 40 10  
service.vacuum.ba@oerlikon.com

Sweden  
**Oerlikon**  
**Leybold Vacuum Scandinavia AB**  
Box 9084  
SE-40092 Göteborg  
Sales and Service:  
Phone: +46-31-68 84 70  
Fax: +46-31-68 39 39  
info.vacuum.gt@oerlikon.com  
Visiting/delivery address:  
Datavägen 57B  
SE-43632 Askim

Switzerland  
**Oerlikon**  
**Leybold Vacuum Schweiz AG**  
Leutschenbachstrasse 55  
CH-8050 Zürich  
Sales:  
Phone: +41-044-308 40 50  
Fax: +41-044-302 43 73  
sales.vacuum.zh@oerlikon.com  
Service:  
Phone: +41-044-308 40 62  
Fax: +41-044-308 40 60  
service.vacuum.zh@oerlikon.com

## America

USA  
**Oerlikon**  
**Leybold Vacuum USA Inc.**  
5700 Mellon Road  
USA-Export, PA 15632  
Phone: +1-724-327-5700  
Fax: +1-724-325-3577  
info.vacuum.ex@oerlikon.com

Sales:  
Eastern & Central time zones  
Phone: +1-724-327-5700  
Fax: +1-724-333-1217  
Pacific, Mountain, Alaskan & Hawaiian time zones  
Phone: +1-480-752-9191  
Fax: +1-480-752-9494  
Service:  
Phone: +1-724-327-5700  
Fax: +1-724-325-3577

**Oerlikon**  
**Leybold Vacuum GmbH**  
Bonner Strasse 498  
D-50968 Cologne  
Phone: +49-(0)221-347 0  
Fax: +49-(0)221-347 1250  
info.vacuum.ex@oerlikon.com

## Asia

P.R. China  
**Oerlikon**  
**Leybold Vacuum (Tianjin) International Trade Co. Ltd.**  
Beichen Economic  
Development Area (BEDA),  
Shanghai Road  
Tianjin 300400  
China  
Sales and Service:  
Phone: +86-22-2697 0808  
Fax: +86-22-2697 4061  
Fax: +86-22-2697 2017  
sales.vacuum.tj@oerlikon.com  
service.vacuum.tj@oerlikon.com

**Oerlikon**  
**Leybold Vacuum (Tianjin) Co. Ltd.**  
Beichen Economic  
Development Area (BEDA),  
Shanghai Road  
Tianjin 300400  
China  
Sales and Service:  
Phone: +86-22-2697 0808  
Fax: +86-22-2697 4061  
Fax: +86-22-2697 2017  
info.vacuum.tj@oerlikon.com  
service.vacuum.tj@oerlikon.com

**Oerlikon**  
**Leybold Vacuum (Tianjin) International Trade Co. Ltd.**  
Shanghai Branch:  
Add: No.33  
76 Futedong San Rd.  
Waigaoqiao FTZ  
Shanghai 200131  
China  
Sales and Service:  
Phone: +86-21-5064-4666  
Fax: +86-21-5064-4668  
info.vacuum.sh@oerlikon.com  
service.vacuum.tj@oerlikon.com

**Oerlikon**  
**Leybold Vacuum (Tianjin) International Trade Co. Ltd.**  
Guangzhou Office and  
Service Center  
1st F, Main Building  
Science City Plaza,  
No.111 Science Revenue,  
Guangzhou Science City  
(GZSC) 510663, Guangzhou,  
China  
Sales:  
Phone: +86-20-8723-7873  
Phone: +86-20-8723-7597  
Fax: +86-20-8723-7875  
info.vacuum.gz@oerlikon.com  
service.vacuum.tj@oerlikon.com

**Oerlikon**  
**Leybold Vacuum (Tianjin) International Trade Co. Ltd.**  
Beijing Branch:  
1-908, Beijing Landmark Towers  
8 North Dongsanhuan Road  
Chaoyang District  
Beijing 100004  
China  
Sales:  
Phone: +86-10-6590-7622  
Fax: +86-10-6590-7607  
sales.vacuum.bj@oerlikon.com

India  
**Oerlikon**  
**Leybold Vacuum India Pvt Ltd.**  
EL-22, J Block  
MIDC Bhosari  
Pune 411026  
India  
Sales and Service:  
Phone: +91-20-3061 60000  
Fax: +91-20-2712 1571  
sales.vacuum.pu@oerlikon.com  
service.vacuum.pu@oerlikon.com

Japan  
**Oerlikon**  
**Leybold Vacuum Japan Co., Ltd.**  
Headquarter  
23-3, Shin-Yokohama  
3-chome  
Tobu A.K. Bldg. 4th Floor  
Kohoku-ku  
Yokohama-shi 222-0033  
Sales:  
Phone: +81-45-471-3330  
Fax: +81-45-471-3323  
info.vacuum.yh@oerlikon.com  
sales.vacuum.yh@oerlikon.com

**Oerlikon**  
**Leybold Vacuum Japan Co., Ltd.**  
Osaka Sales Office  
5-13, Kawagishi-machi  
Suita-chi  
Osaka 564-0037  
Phone: +81-6-6393-5211  
Fax: +81-6-6393-5215  
info.vacuum.os@oerlikon.com  
sales.vacuum.os@oerlikon.com

**Oerlikon**  
**Leybold Vacuum Japan Co., Ltd.**  
Tsukuba Technical Service Center  
Kogyo Danchi  
21, Kasuminosato,  
Ami-machi, Inashiki-gun  
Ibaraki-ken, 300-0315  
Service:  
Phone: +81-298 89 2841  
Fax: +81-298 89 2838  
info.vacuum.iik@oerlikon.com  
sales.vacuum.iik@oerlikon.com

Korea  
**Oerlikon**  
**Leybold Vacuum Korea Ltd.**  
3F, Jellzone 2 Tower, 159-4  
Jeongja-Dong, Bundang-Gu  
Sungnam-Si, Gyeonggi-Do  
Korea 463-384  
Sales:  
Phone: +82-31 785 1367  
Fax: +82-31 785 1359  
  
623-7, Upsung-Dong  
Cheonan-Si  
Chungcheongnam-Do  
Korea 330-290  
Service:  
Phone: +82-41 589 3035  
Fax: +82-41 588 0166

Singapore  
**Oerlikon**  
**Leybold Vacuum Singapore Pte Ltd.**  
No.1, International Business Park  
B1-20B, The Synergy  
Singapore 609917

Sales and Service:  
Phone: +65-6303 7000  
Fax: +65-67730 039  
sales.vacuum.sg@oerlikon.com  
service.vacuum.sg@oerlikon.com

Taiwan  
**Oerlikon**  
**Leybold Vacuum Taiwan Ltd.**  
No 416-1, Sec. 3  
Chung-Hsin Rd., Chu-Tung  
Hsin-Chu, Taiwan, R.O.C.  
Sales and Service:  
Phone: +886-3-500 1688  
Fax: +886-3-583 3999  
sales.vacuum.hc@oerlikon.com  
service.vacuum.hc@oerlikon.com

**oerlikon**  
**leybold vacuum**

www.oerlikon.com